



## ECN

工程变更通知

ECN-2601050

KLS P/N: L-KLS1-XL2-2.54-FT

Changes AS: Structure Change

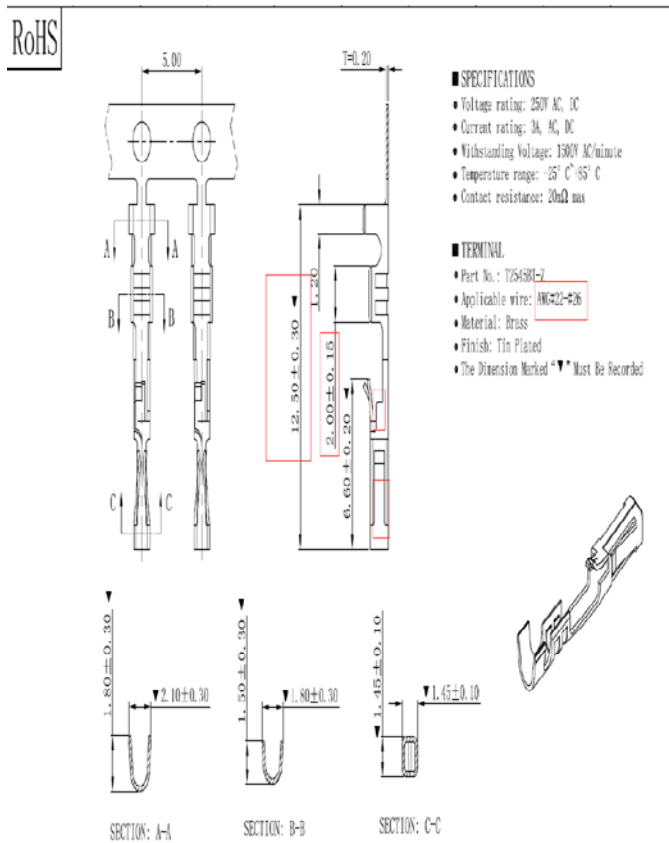
Change the reason: Technology Improvement

Date: 2026-2-4

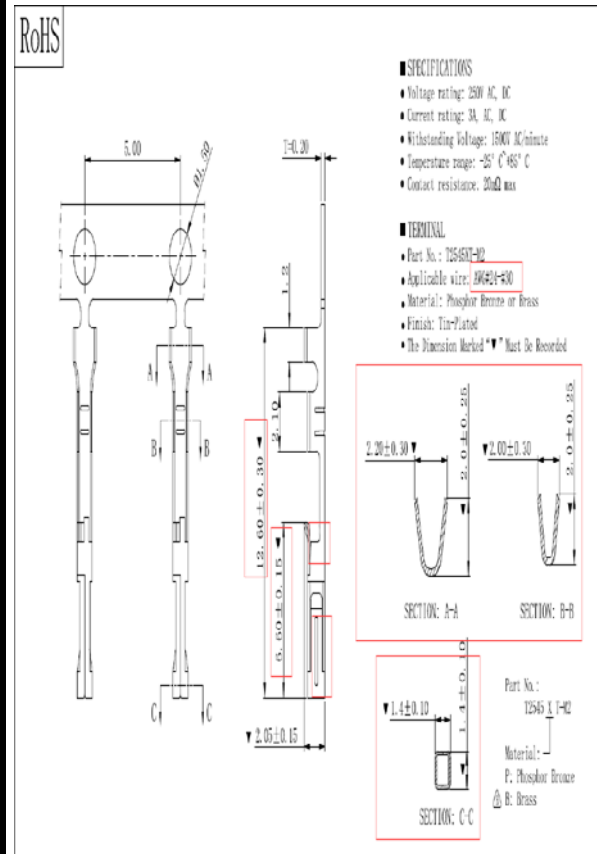
### Instructions:

Factory Mold Changeover.

### Before the Change Drawings:



### After the Change Drawings:



Disclaimer: The above product changes are product structure upgrades. Production of the new product will begin on 2026-02-03 . We apologize for the inconvenience. Thank you for choosing KLS products again. I wish you a happy life!

Approve:

宁波开尔亿启电子有限公司  
NINGBO KLS ELECTRONIC CO., LTD.

Checked: Daniel

Change: Roland